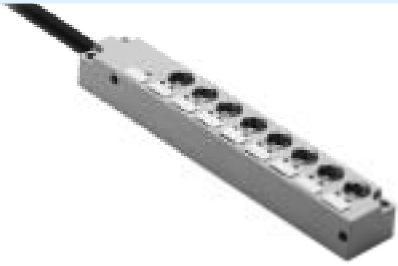


# Connection Systems

## Distribution Boxes, Pico Style

### 3-Pin, Cable Connector

## Pico Style



Pico 8-Port Distribution Box

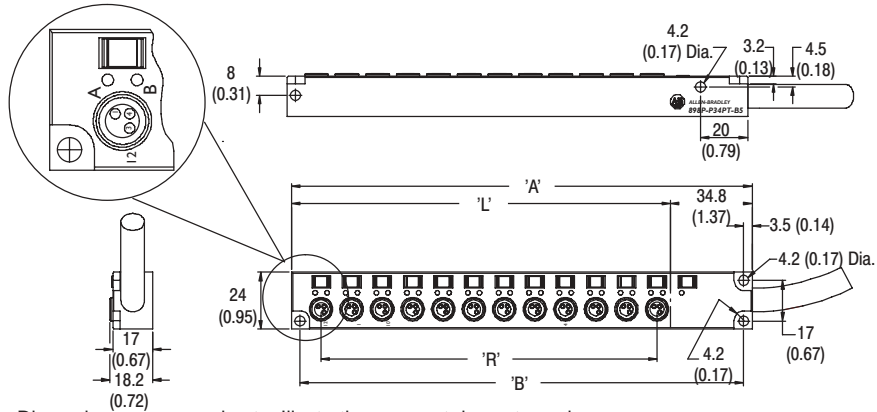
### Specifications

<b>Certifications</b>	UL recognized and CSA certified	
<b>Mechanical</b>		
<b>Material</b>	Grey Pocolan	
<b>Connector Insert</b>	PBT	
<b>Receptacle Shell Material</b>	Nickel-plated brass	
<b>Contacts</b>	Gold-plated palladium/nickel	
<b>Cable</b>	Oil-resistant black PUR/PVC jacket, (3) 18 AWG stranded copper, (4, 6, 8, 10 or 12) 22 AWG flex rated for 1 million cycles	
<b>Cable Diameter</b>	4 port = 6.4 mm (0.25 in) 6 port = 7.2 mm (0.28 in) 8 port = 7.4 mm (0.29 in)	10 port = 7.6 mm (0.30 in) 12 port = 9.8 mm (0.39 in)
<b>Environmental</b>		
<b>Enclosure Type Rating</b>	IP 67	
<b>Operating Temperature—C (F)</b>	-20...+80° (-4...+176°)	

### Features

- Grey Pocolan body offers good oil and chemical resistance
- Side and top mounting holes for ease of installation
- PUR/PVC cable rated to flex to 1 million cycles
- LED version for use with PNP (sourcing) field devices
- Snap-in markers for box and port identification can be used with 1492 Fast Track™ marker printer system

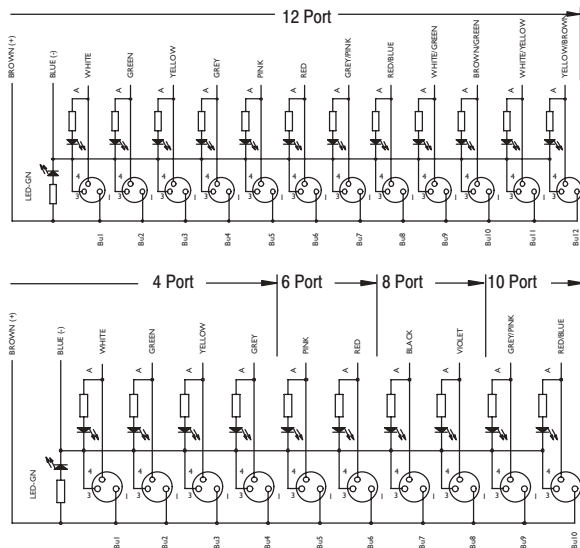
### Dimensions—mm (in)



Dimensions are approximate. Illustrations are not drawn to scale.

# of Ports	L	R	B	A
4	57 (2.2)	39 (1.5)	85 (3.3)	92 (3.6)
6	83 (3.3)	65 (2.6)	111 (4.4)	118 (4.6)
8	109 (4.3)	91 (3.6)	137 (5.4)	144 (5.7)
10	135 (5.3)	117 (4.6)	163 (6.4)	170 (6.7)
12	161 (6.3)	143 (5.6)	189 (7.4)	196 (7.7)

### Wiring Diagrams



### Mating Components & Accessories



Description	Cat. No.	Page
Device patchcord (3-pin)	<b>889P-F3ABPM-†</b>	3-107
Field Attachable Connectors	<b>871A-TS3-PM</b>	3-121
IDC Field Attachable Connectors	<b>889P-M3DC-H</b>	3-123
Sealing Caps§	<b>889A-PMCAP</b>	3-143
Labels*	<b>1492-M5X10</b>	—

† Replace symbol with the length of the cable in meters (1, 2, 3, 5 or 10 m standard)

§ 2 provided with box

\* 1 set provided with box (see *Industrial Control* catalog)

**Pinout**

Device Connection					Main Connection
					
Ports (Female 3-pin)					Cable
4 Port	6 Port	8 Port	10 Port	12 Port	
Ground	Ground	Ground	Ground	Ground	Green/Yellow
(+) All Ports Pin 1	(+) All Ports Pin 1	(+) All Ports Pin 1	(+) All Ports Pin 1	(+) All Ports Pin 1	Brown
(-) All Ports Pin 3	(-) All Ports Pin 3	(-) All Ports Pin 3	(-) All Ports Pin 3	(-) All Ports Pin 3	Blue
Port 1 Pin 4	Port 1 Pin 4	Port 1 Pin 4	Port 1 Pin 4	Port 1 Pin 4	White
Port 2 Pin 4	Port 2 Pin 4	Port 2 Pin 4	Port 2 Pin 4	Port 2 Pin 4	Green
Port 3 Pin 4	Port 3 Pin 4	Port 3 Pin 4	Port 3 Pin 4	Port 3 Pin 4	Yellow
Port 4 Pin 4	Port 4 Pin 4	Port 4 Pin 4	Port 4 Pin 4	Port 4 Pin 4	Grey
—	Port 5 Pin 4	Port 5 Pin 4	Port 5 Pin 4	Port 5 Pin 4	Rose
—	Port 6 Pin 4	Port 6 Pin 4	Port 6 Pin 4	Port 6 Pin 4	Red
—	—	Port 7 Pin 4	Port 7 Pin 4	—	Black
—	—	Port 8 Pin 4	Port 8 Pin 4	—	Violet
—	—	—	Port 9 Pin 4	Port 7 Pin 4	Grey/Pink
—	—	—	Port 10 Pin 4	Port 8 Pin 4	Red/Blue
—	—	—	—	Port 9 Pin 4	White/Green
—	—	—	—	Port 10 Pin 4	Brown/Green
—	—	—	—	Port 11 Pin 4	White/Yellow
—	—	—	—	Port 12 Pin 4	Yellow/Brown

**Product Selection**

**3-Pin Single Output, Distribution Boxes** 

Ports	Illuminated	Assembly Rating	Cat. No.
4 Port	PNP LED	10...30V DC, 2 A per channel/ 6 A total	<b>898P-P34PT-B*</b>
6 Port			<b>898P-P36PT-B*</b>
8 Port			<b>898P-P38PT-B*</b>
10 Port			<b>898P-P310PT-B*</b>
12 Port			<b>898P-P312PT-B*</b>
Device Patchcord (3-pin straight to straight)			<b>889P-F3ABPM‡</b>

\* Replace symbol with 5 (5 m) or 10 (10 m) for standard cable lengths.  
 ‡ Replace symbol with the length of cable in meters (1, 2, 3, 5 or 10 m standard).

Connection Systems  
**Distribution Boxes, Pico Style**

3-Pin, DC Micro Main Connector

**Pico Style**



Pico 6-Port Distribution Box

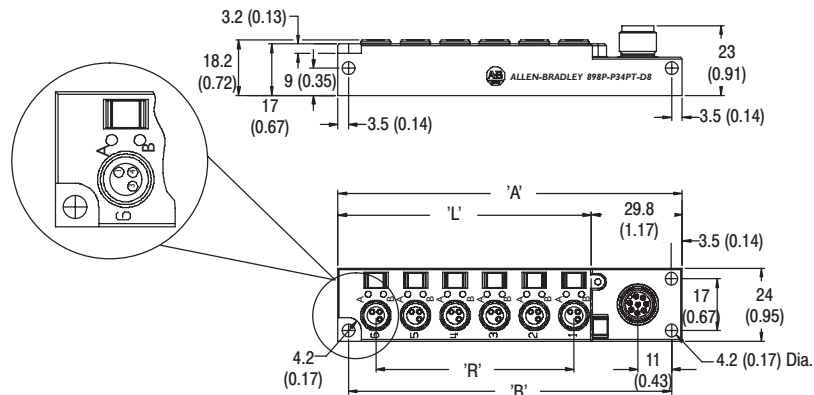
**Specifications**

<b>Certifications</b>	UL recognized and CSA certified
<b>Mechanical</b>	
<b>Material</b>	Grey Pohan
<b>Connector Insert</b>	PBT
<b>Receptacle Shell Material</b>	Nickel-plated brass
<b>Contacts</b>	Gold-plated palladium/nickel
<b>Main Connector</b>	8-Pin DC Micro
<b>Environmental</b>	
<b>Enclosure Type Rating</b>	IP 67
<b>Operating Temperature—C (F)</b>	-20...+80° (-4...+176°)

**Features**

- Grey Pohan body offers good oil and chemical resistance
- 8-pin DC micro main connector
- Side and top mounting holes for ease of installation
- LED version for use with PNP (sourcing) field devices
- Snap-in markers for box and port identification can be used with IEC marker printer system

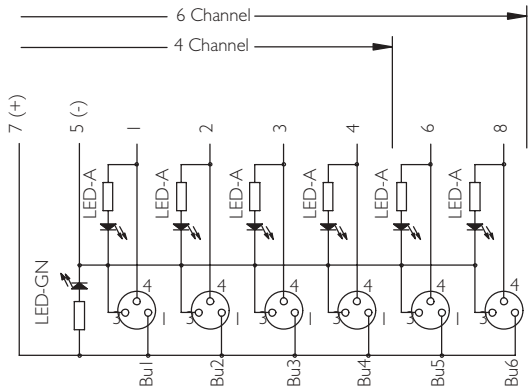
**Dimensions—mm (in)**



Dimensions are approximate. Illustrations are not drawn to scale.

# of Ports	L	R	B	A
4	57 (2.2)	39 (1.5)	80 (3.1)	87 (3.4)
6	83 (3.3)	65 (2.6)	106 (4.2)	113 (4.4)

**Wiring Diagrams**


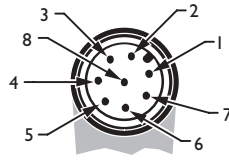


**Mating Components & Accessories**

Description	Cat. No.	Page
Device patchcord (3-pin)	<b>889P-F3ABPM-‡</b>	3-107
DC Micro Homerun patchcord	<b>889D-R8ABDM-‡</b>	3-51
Field Attachable Connectors	<b>871A-TS3-PM</b>	3-121
IDC Field Attachable Connectors	<b>889P-M3DC-H</b>	3-123
Sealing Caps§	<b>889A-PMCAP</b>	3-143
Labels*	<b>1492-M5X10</b>	—

‡ Replace symbol with the length of the cable in meters (1, 2, 3, 5 or 10 m standard)  
 § 2 provided with box  
 \* 1 set provided with box (see *Industrial Control* catalog)

## Pinout

Device Connection		Main Connection
		
Ports (Female 3-Pin)		8 Pin DC Micro
4 Port	6 Port	
(+) All Ports Pin 1	(+) All Ports Pin 1	7
(-) All Ports Pin 3	(-) All Ports Pin 3	5
Port 1 Pin 4	Port 1 Pin 4	1
Port 2 Pin 4	Port 2 Pin 4	2
Port 3 Pin 4	Port 3 Pin 4	3
Port 4 Pin 4	Port 4 Pin 4	4
—	Port 5 Pin 4	6
—	Port 6 Pin 4	8

## Product Selection

### 3-Pin Single Output, Distribution Boxes

Ports	Illuminated	Assembly Rating	Cable Length—m (ft)	Cat. No.
4 Port	PNP LED	10...30V DC, 2 A per channel/6 A total	8-pin M12 QD	<b>898P-P34PT-D8</b>
6 Port				<b>898P-P36PT-D8</b>
Device Patchcord (3-pin straight to straight)				<b>889P-F3ABPM-‡</b>
Homerun Patchcord for D8 models (Right Angle to Straight)				<b>889D-R8ABDM-‡</b>

‡ Replace symbol with the length of cable in meters (1, 2, 3, 5 or 10 m standard).