

6-pin/5-used

T-Ports



Features

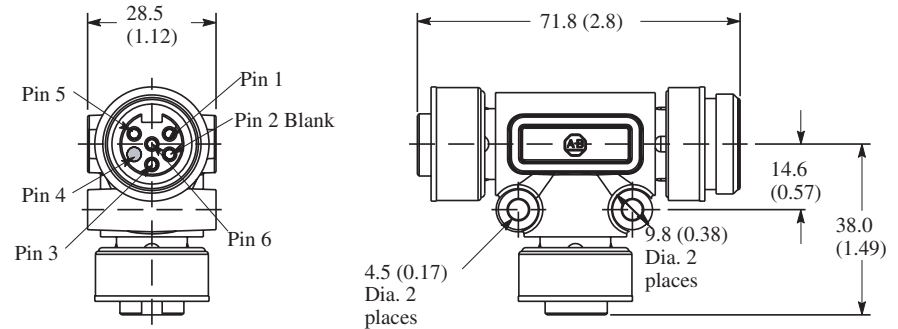
- 6-pin/5-used configuration to prevent mis-wiring with network connectors
- One piece molded design
- Durable compact design

Specifications

Mechanical	
Coupling Nut	Black epoxy coated zinc
Housing	Riteflex TPE
Insert	Yellow Riteflex TPE
Contacts	Brass / gold over palladium Nickel
Electrical	
Assembly Rating	600V, 10 A
Environmental	
Enclosure Type Rating	IP67, NEMA 6P, 1200 psi washdown
Operating Temperature	-20...90°C (-4...194°F)

Dimensions—mm (inches)

Dimensions are approximate. Illustrations are not drawn to scale.



Product Selection

T-Ports

Pin Count	Assembly Rating	Overmold Color	Wiring Diagram	Cat. No.
E-stop In	600V 10 A	Red		898N-653ES-NKF
E-stop Out		Black		898N-653ST-NKF

Pinout and Color Code

Face View Pinout 6-pin/5-used	
Female	Male
Color Code	1 Red 2 Black 3 Green 4 Blank/Not Used 5 Blue 6 White