

Mini Style



Tap-Style Wiring

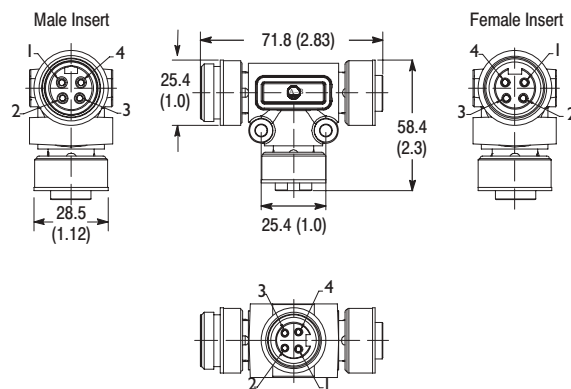
Features

- Tap-style wiring
- TPE body offers good oil and chemical resistance
- Ratcheting coupling nuts for vibration resistance

Specifications

Certifications	UL recognized and CSA certified
Mechanical	
Coupling Nut	Black epoxy coated zinc
Material	TPE
Contacts	Gold-plated palladium nickel
Electrical	
Assembly Rating	300V, 8 A
Environmental	
Enclosure Type Rating	IP 67, NEMA 6P, 1200 psi (8270 kPa) washdown
Operating Temperature—C (F)	-25...+70° (-13...+158°)

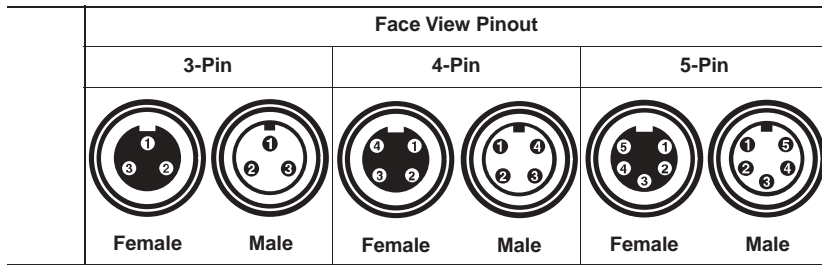
Dimensions—mm (in)



Note: 4-pin version shown

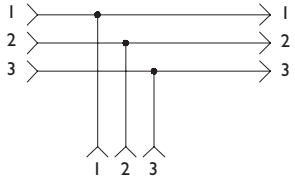
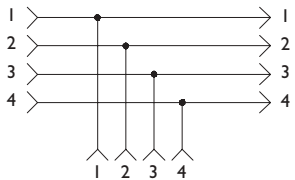
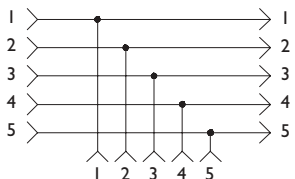
Dimensions are approximate. Illustrations are not drawn to scale.

Pinout



Product Selection

T-Ports

Connector	Wiring Diagram	Assembly Rating	Cat. No.
3-Pin		300V 8 A	898N-33PB-N4KF
4-Pin			898N-43PB-N4KF
5-Pin			1485P-P1N5-MN5KF

Note: Stainless steel connectors may be ordered by adding an "S" to the bulletin number (e.g. **898NS-43PB-N4KF**).