

Distribution Boxes, Mini Style

3-Pin, Parallel Wired, Mini Connector

Mini Style



4-Port Mini Distribution Box

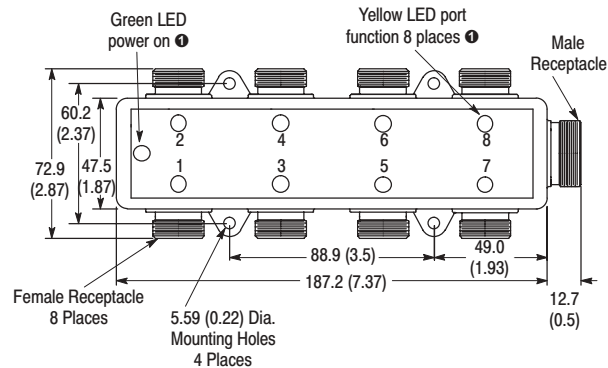
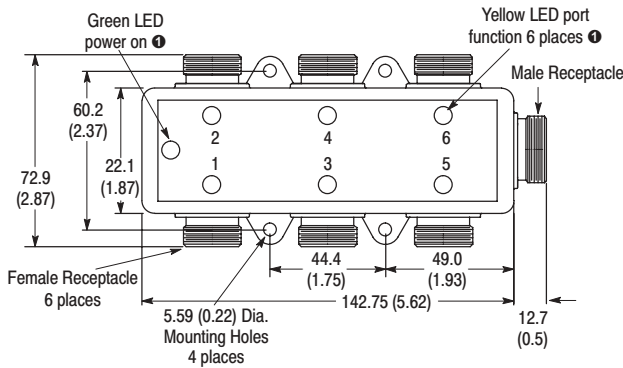
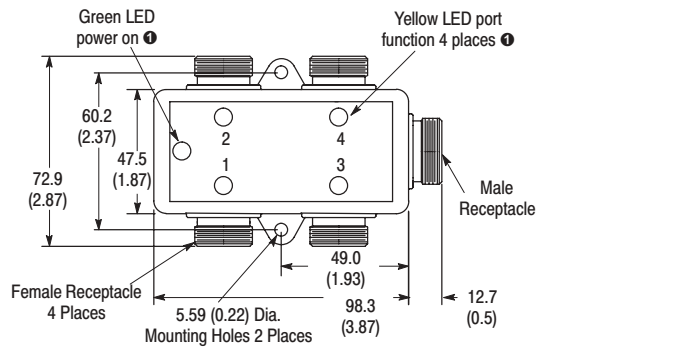
Specifications

Certifications	UL recognized and CSA certified
Mechanical	
Connector Shell Material	Anodized aluminum with clear sealant
Housing	Yellow PET
Contacts	Gold-plated palladium/nickel
Connector Insert Material	PVC
Environmental	
Enclosure Type Rating	NEMA 4, 6P, 12, 13; IP 67; 1200 psi washdown
Operating Temperature—C (F)	-30...+105° (-22...+221°)

Features

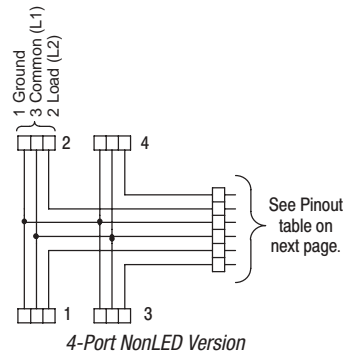
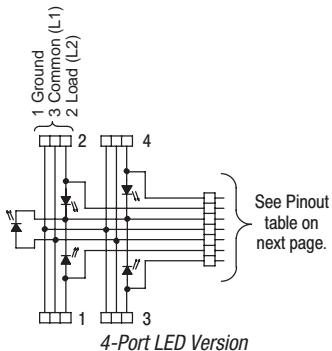
- Highly visible yellow PET body offers good oil and chemical resistance
- 4, 6, or 8 parallel wired 3-pin mini connectors
- LED and nonLED models

Dimensions—mm (in)



① LED models only.
Dimensions are approximate. Illustrations are not drawn to scale.








Wiring Diagrams



Mating Components & Accessories

Description	Cat. No.	Page
Device Patchcords	889N-F3AFNU-F	3-11
Main Cordset	889N-F3AF-F	3-35, 3-37
Terminal Chambers	871A-TS3-NU2	3-29
Sealing Caps	889A-NCAP	3-143

Pinout

Ports	Main Connection					
	4 Port		6 Port		8 Port	
Wiring Arrangement	A	B	C	D	E	F
						
Ports (Female 3-Pin)	6-Pin Male	7-Pin Male	8-Pin Male	9-Pin Male	10-Pin Male	12-Pin Male
LED Ground	—	Pin 1	—	Pin 4	—	Pin 7
(+) All Ports Pin 3	Pin 1	Pin 3	Pin 5	Pin 5	Pin 10	Pin 11
(-) All Ports Pin 1	Pin 3	Pin 7	Pin 7	Pin 7	Pin 8	Pin 9
Port 1 Pin 2	Pin 2	Pin 4	Pin 6	Pin 6	Pin 7	Pin 10
Port 2 Pin 2	Pin 4	Pin 5	Pin 1	Pin 1	Pin 1	Pin 1
Port 3 Pin 2	Pin 5	Pin 2	Pin 4	Pin 9	Pin 9	Pin 12
Port 4 Pin 2	Pin 6	Pin 6	Pin 2	Pin 2	Pin 2	Pin 2
Port 5 Pin 2	—	—	Pin 3	Pin 8	Pin 3	Pin 3
Port 6 Pin 2	—	—	Pin 8	Pin 3	Pin 4	Pin 4
Port 7 Pin 2	—	—	—	—	Pin 5	Pin 5
Port 8 Pin 2	—	—	—	—	Pin 6	Pin 6
No Connection	—	—	—	—	—	Pin 8

Product Selection

3-Pin Distribution Boxes

Ports	Illuminated	Assembly Rating	Wiring Arrangement	Cat. No.
4 Port	No LED	600V, 7 A	A	898N-34PS-N6
	LED	120V, 7 A	B	898N-L34PS-N7
6 Port	No LED	600V, 7 A	C	898N-36PS-N8
	LED	120V, 7 A	D	898N-L36PS-N9
8 Port	No LED	600V, 7 A	E	898N-38PS-N10
	LED	120V, 7 A	F	898N-L38PS-N12
Device Patchcords (Straight to Straight)				889N-F3AFNU-F
Main Cordset (Straight to Conductor)				889N-F§AF-‡

* Replace symbol with 3 (3 ft), 6 (6 ft), 12 (12 ft), or 20 (20 ft) for standard cable lengths.

‡ Replace symbol with 2 (2 m), 5 (5 m), or 10 (10 m) for standard cable lengths.

§ Replace symbol with the number of pins in the main connection

Distribution Boxes, Mini Style

4-Pin, Parallel Wired, Mini Connector

Mini Style



4-Port Mini Distribution Box

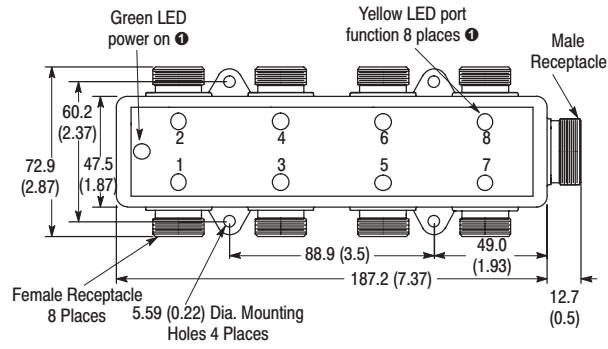
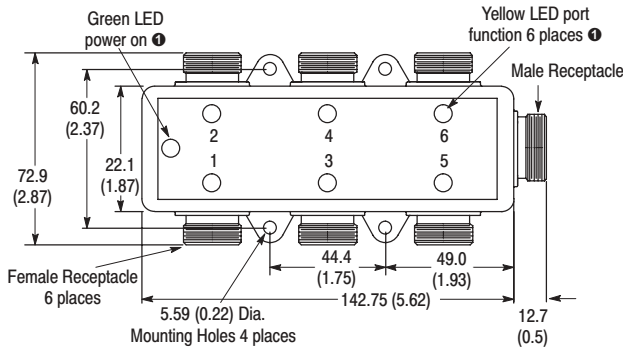
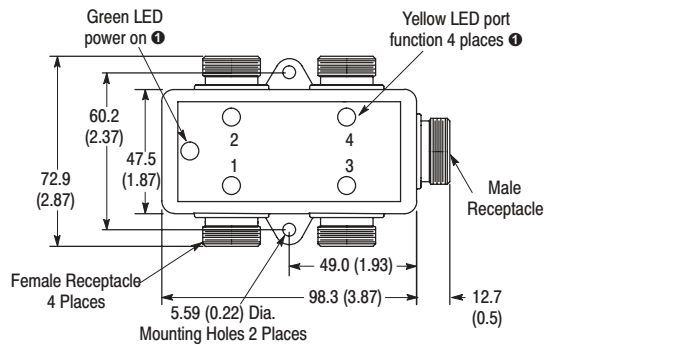
Specifications

Certifications	UL recognized and CSA certified
Mechanical	
Connector Shell Material	Anodized aluminum with clear sealant
Housing	Yellow PET
Contacts	Gold-plated palladium/nickel
Connector Insert Material	PVC
Environmental	
Enclosure Type Rating	NEMA 4, 6P, 12, 13; IP 67; 1200 psi washdown
Operating Temperature—C (F)	-30...+105° (-22...+221°)

Features

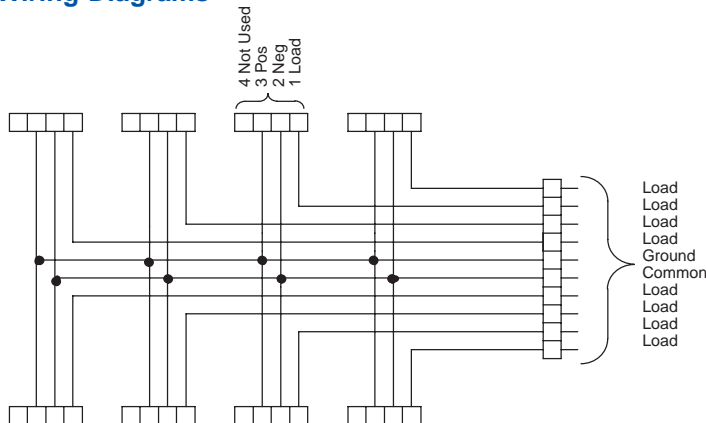
- Highly visible yellow PET body offers good oil and chemical resistance
- 4 parallel wired 4-pin mini connectors

Dimensions—mm (in)



① LED models only.
Dimensions are approximate. Illustrations are not drawn to scale.

Wiring Diagrams







Mating Components & Accessories

Description	Cat. No.	Page
Device Patchcords	889N-F3AFNU-*F	3-11
Main Cordset	889N-F3AF-+	3-35, 3-37
Terminal Chambers	871A-TS3-NU2	3-29
Sealing Caps	889A-NCAP	3-143

Connection Systems
Distribution Boxes, Mini Style
 4-Pin, Parallel Wired, Mini Connector

Pinout

Ports	Main Connection		
	4 Port	6 Port	8 Port
Wiring Arrangement	A	B	C
			
Ports (Female 4-Pin)	6-Pin Male	8-Pin Male	10-Pin Male
(+) All Ports Pin 3	Pin 1	Pin 5	Pin 10
(-) All Ports Pin 2	Pin 3	Pin 7	Pin 8
All Ports Pin 4	Not Used	Not Used	Not Used
Port 1 Pin 1	Pin 2	Pin 6	Pin 7
Port 2 Pin 1	Pin 4	Pin 1	Pin 1
Port 3 Pin 1	Pin 5	Pin 4	Pin 9
Port 4 Pin 1	Pin 6	Pin 2	Pin 2
Port 5 Pin 1	—	Pin 3	Pin 3
Port 6 Pin 1	—	Pin 8	Pin 4
Port 7 Pin 1	—	—	Pin 5
Port 8 Pin 1	—	—	Pin 6

Product Selection

4-Pin Distribution Boxes 

Ports	Illuminated	Assembly Rating	Wiring Arrangement	Cat. No.
4 Port	No LED	120V, 7 A	A	898N-44PS-N6
6 Port			B	898N-46PS-N8
8 Port			C	898N-48PS-N10
Device Patchcords (Straight to Straight)				889N-F4AFNU-*F
Main Cordset (Straight to Conductor)				889N-F§AF-‡

- * Replace symbol with 3 (3 ft), 6 (6 ft), 12 (12 ft), or 20 (20 ft) for standard cable lengths.
- ‡ Replace symbol with 2 (2 m), 5 (5 m), or 10 (10 m) for standard cable lengths.
- § Replace symbol with the number of pins in the main connection.