

# Distribution Boxes, IDC Style

One Signal per Port, Cable Connector

## IDC Style



IDC Style 8-Port Distribution Box



IDC Insert

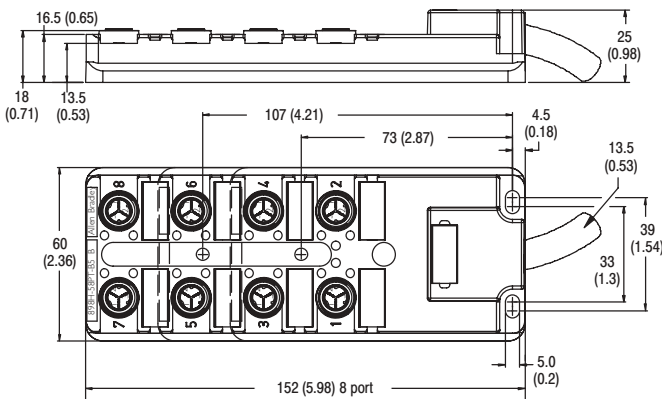
### Specifications

<b>Certifications</b>	UL recognized and CSA certified
<b>Mechanical</b>	
<b>Material</b>	Grey Pocan
<b>Connector Insert</b>	PBT
<b>Receptacle Shell Material</b>	Nickel-plated brass
<b>Contacts</b>	Gold-plated palladium/nickel
<b>Max. IDC Installations</b>	10
<b>Cable</b>	Oil-resistant black PUR/PVC jacket, (3) 18 AWG stranded copper, (8 or 16) 22 AWG flex rated for 1 million cycles
<b>Cable Diameter</b>	7.4 mm (0.29 in)
<b>Conductor Outside Diameter</b>	24–22 AWG, 1.6...2.0 mm (0.063...0.079 in)
<b>Environmental</b>	
<b>Enclosure Type Rating</b>	IP 67; 1200 psi washdown
<b>Operating Temperature—C (F)</b>	-20...+90° (-4...+194°)

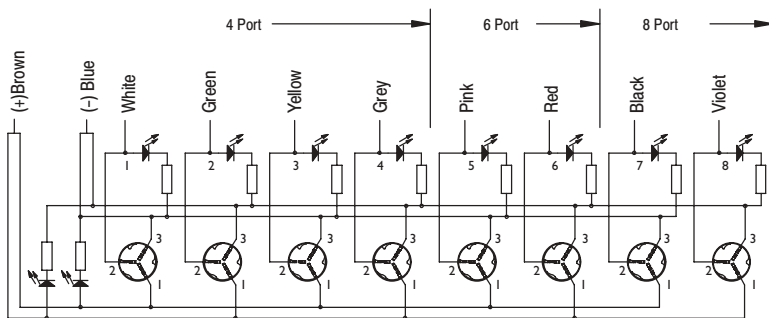
### Features

- Grey Pocan body offers good oil and chemical resistance
- Insulation displacement connection (IDC) allows cut-to-length cables to quickly attach to distribution box
- PUR/PVC cable rated to flex to 1 million cycles
- LED version for use with PNP (sourcing) field devices
- Snap-in markers for box and port identification can be used with 1492 Fast Track™ marker printer system

### Dimensions—mm (in)



### Wiring Diagrams



**Note:** Wiring diagram shows PNP wiring. Actual units use PNP LED or no LED.

### Mating Components & Accessories

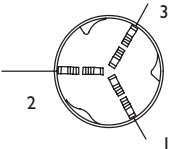

Description	Cat. No.	Page
Device cordset	<b>889D-F4AC-‡</b>	
3-pole IDC Insert (Required for Connection with IDC box)	<b>889A-HCC3</b>	
Sealing Caps§	<b>1485A-M12</b>	
Labels*	<b>1492-MS9X20</b>	

‡ Replace symbol with the length of the cable in meters (2, 5 or 10 m standard)

§ 2 provided with box

\* 1 set provided with box

### Pinout

Device Connection	Main Connection
	
Ports (IDC)	Cable Connector
8 Port	Cable Connector
(+ ) All ports Ports Pin 1	Brown
(- ) All Ports Pin 3	Blue
Port 1 Pin 2	White
Port 2 Pin 2	Green
Port 3 Pin 2	Yellow
Port 4 Pin 2	Grey
Port 5 Pin 2	Rose
Port 6 Pin 2	Red
Port 7 Pin 2	Black
Port 8 Pin 2	Violet

### Product Selection

#### 3-Pin Single Output, Distribution Boxes

Ports	Illuminated	Assembly Rating	Cat. No.
8 Port	No LED	10...30V DC, 2 A per channel/10 A total	<a href="#">898H-58PT-B*</a>
	PNP LED		<a href="#">898H-P58PT-B*</a>
3-pole IDC insert (must be ordered separately)			<a href="#">889A-HCC3</a>
DC Micro Device Cordset (Straight)			<a href="#">889D-F4AC-‡</a>

- \* Replace symbol with 5 (5 m) or 10 (10 m) for standard cable lengths.  
 ‡ Replace symbol with the length of cable in meters (2, 5 or 10 m standard).