

# Control Power Trunk and Drop Cables

6-pin/5-used 16 AWG, STOOW PVC

## Trunk & Drop Cables



### Specifications

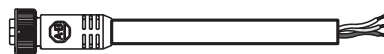
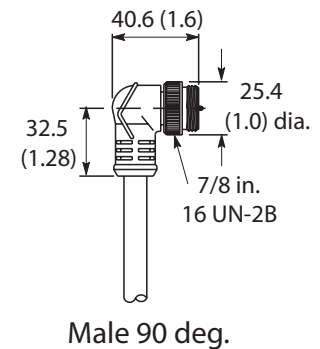
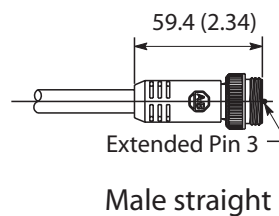
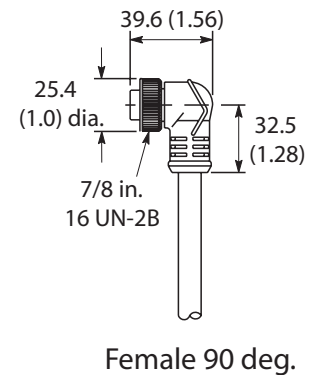
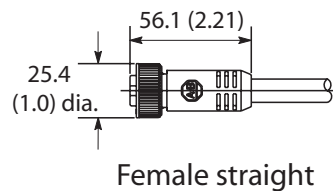
Mechanical	
<b>Coupling Nut</b>	Black epoxy coated zinc
<b>Overmold</b>	Red Riteflex TPE
<b>Insert</b>	Yellow Riteflex TPE
<b>Contacts</b>	Brass / gold over palladium Nickel
<b>Cable</b>	Grey PVC, 16 AWG, dual rated UL TC/Open Wiring and STOOW
<b>Cable Diameter</b>	0.44 in. +/- 0.12 in. (11.18 mm +/- 0.5 mm)
Electrical	
<b>Cable Rating</b>	UL Type TC 600V 90 °C Dry 75 °C Wet, Open Wiring or MTW 600V 90 °C or STOOW 105 °C 600V - CSA STOOW 600V FT2
<b>Assembly Rating</b>	600V, 10 A
Environmental	
<b>Enclosure Type Rating</b>	IP67, NEMA 6P, 1200 psi washdown
<b>Operating Temperature</b>	-20...90°C (-4...194°F)

### Features

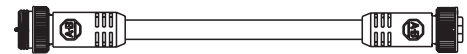
- 6-pin/5-used configuration to prevent mis-wiring with network connectors
- One piece molded design
- 16 AWG exposed run (ER) rated cable
- Red overmolds to indicate presence of E-stop wiring

### Dimensions—mm (inches)

Dimensions are approximate. Illustrations are not drawn to scale.





Example of Cordset



Example of Patchcord

**Pinout and Color Code**

	Face View Pinout 6-pin/5-used	
	 <p>Female</p>	 <p>Male</p>
Color Code	1 Red (+) 2 Black (-) 3 Green (GND)	4 Blank/Not Used 5 Blue (S1) 6 White (S2)

**Product Selection**

**Cordsets**

Pin Count	Assembly Rating	Cat. No.			
		Straight Female	Right-Angle Female	Straight Male	Right-Angle Male
6-Pin/5-used	16 AWG 600V 10 A	889N-F65GF-*	889N-R65GF-*	889N-M65GF-*	889N-E65GF-*

\* Replace symbol with length in meters (2, 5, or 10 standard)

**Patchcords**

Pin Count	Assembly Rating	Cat. No.			
		Straight Female Straight Male	Right-Angle Female Straight Male	Straight Female Right-Angle Male	Right-Angle Female Right-Angle Male
6-Pin/5-used	16 AWG 600V 10 A	889N-F65GFNM-*	889N-R65GFNM-*	889N-F65GFNE-*	889N-R65GFNE-*

\* Replace symbol with length in meters (1, 2, 3, 5, or 10 standard)