

# DC Micro Style



DC Micro Male

## Features

- Field installable with no hand tools needed
- 4-pin DC micro style
- Straight or right angle, male or female
- Allows easy modification of existing cable installations
- Insulation displacement technology for secure and reliable installation
- Metal body unit excellent in shielding applications

## Specifications

<b>Mechanical</b>	
<b>Coupling Nut</b>	Zinc die-cast
<b>Connector Shell Material</b>	Zinc die-cast or polyamide
<b>Contacts</b>	Gold-plated palladium nickel
<b>Maximum IDC Installations</b>	10
<b>Conductor Outside Diameter</b>	26–22 AWG–20 AWG: 1.0...1.6 mm (0.039...0.063 in) 24–22 AWG, 22–18 AWG: 1.6...2.0 mm (0.063...0.079 in)
<b>Electrical</b>	
<b>Assembly Rating</b>	32V, 4 A; 50V, 6 A
<b>Environmental</b>	
<b>Enclosure Type Rating</b>	IP 67
<b>Operating Temperature—C (F)</b>	–25...85° (–13...185°)
<b>Installation Temp.—C (F)</b>	–5...50° (23...185°)

## Dimensions—mm (in)

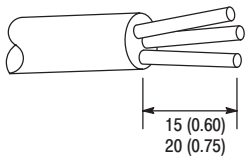


Figure A

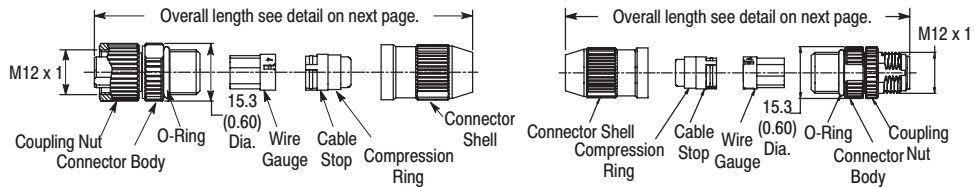


Figure B

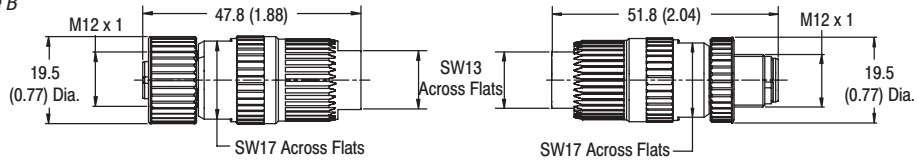


Figure C

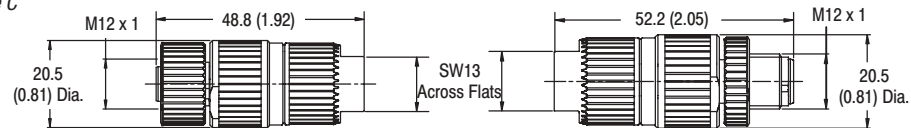
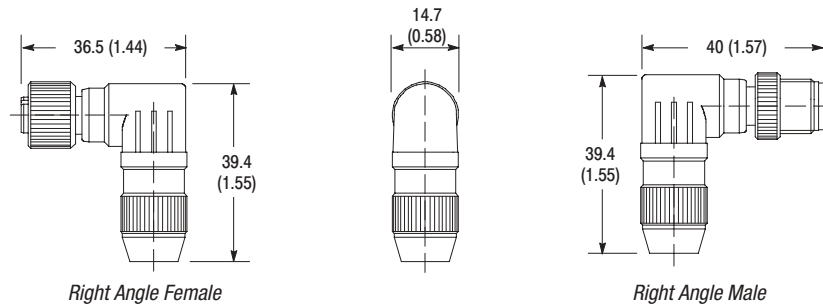
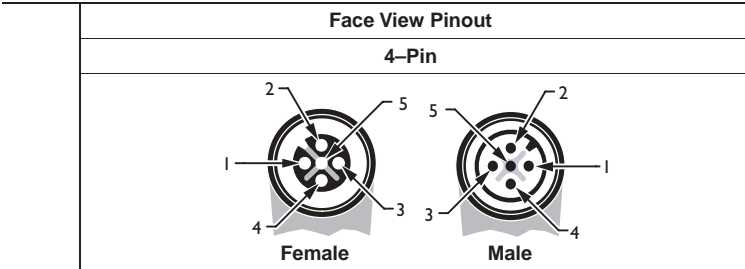


Figure D



Dimensions are approximate. Illustrations are not drawn to scale.

**Pinout**



**Product Selection**

**IDC Field Attachables** 

Pin Count	Connector Body	Dimensions	Cable Jacket Diameter—mm (in)	Wire Size	Assembly Rating	Cat. No.			
						Straight Female	Straight Male	Right Angle Female	Right Angle Male
4-Pin	Polyamide Small body unshielded	Figure A & D	4.0...5.1 (0.16...0.20)	26...22 AWG	32V 4 A	<a href="#">889D-F4DC-H</a>	<a href="#">889D-M4DC-H</a>	<a href="#">889D-R4DC-H</a>	<a href="#">889D-E4DC-H</a>
	Zinc die-cast Large body shielded	Figure B	7.0...8.8 (0.28...0.35)	24...22 AWG	32V 4 A	<a href="#">889D-F4DC-SH</a>	<a href="#">889D-M4DC-SH</a>	—	—
	Polyamide Large body unshielded	Figure C	5.5...8.0 (0.22...0.31)	22...18 AWG	50V 6 A	<a href="#">889D-F4CE-H</a>	<a href="#">889D-M4CE-H</a>	—	—