

Connection Systems
Distribution Boxes, DC Micro Style

4-Pin, One Signal per Port, Cable Connector

DC Micro Style



DC Micro 8-Port Distribution Box

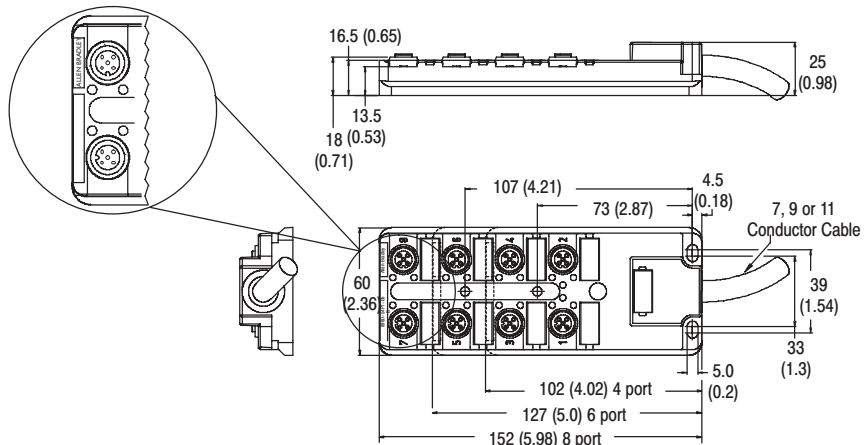
Features

- Grey Pocan body offers good oil and chemical resistance
- 4 or 8 DC micro connectors
- PUR/PVC cable rated to flex to 1 million cycles
- LED versions for use with PNP (sourcing) or NPN (sinking) field devices
- Snap-in markers for box and port identification can be used with 1492 Fast Track™ marker printer system

Specifications

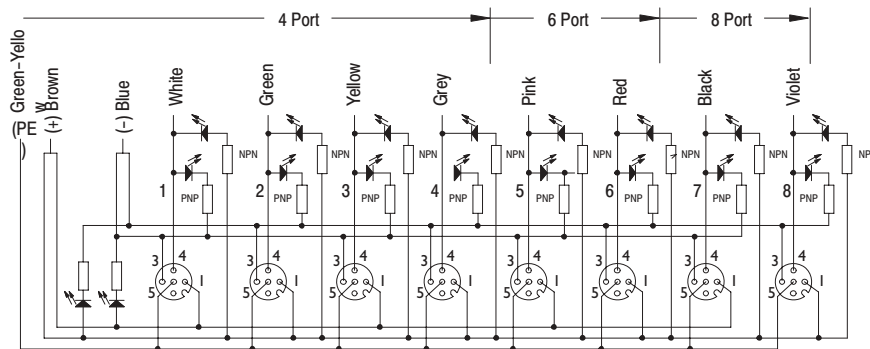
Certifications	UL recognized and CSA certified
Mechanical	
Material	Grey Pocan
Connector Insert	PBT
Receptacle Shell Material	Zinc diecast with nickel plating
Contacts	Gold-plated palladium/nickel
Cable	Oil-resistant black PUR/PVC jacket, (3) 18 AWG stranded copper, (4, 6, or 8) 22 AWG flex rated for 1 million cycles
Cable Diameter	4 port = 7.5 mm (0.30 in) 6 port = 7.8 mm (0.31 in) 8 port = 8.2 mm (0.32 in)
Environmental	
Enclosure Type Rating	IP 67, NEMA 6P, 1200 psi (8270 kPa) washdown
Operating Temperature—C (F)	-20...+90° (-4...+194°)

Dimensions—mm (in)



Dimensions are approximate. Illustrations are not drawn to scale.

Wiring Diagrams



Note: Wiring diagram shows both PNP and NPN wiring. Actual units use PNP LED, NPN LED or neither.

Mating Components & Accessories

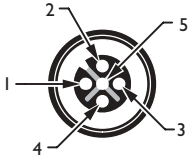

Description	Cat. No.	Page
Device patchcord	889D-F4ACDM-‡	3-47
Field Attachable Connectors	871A-TS4-DM	3-77
IDC Field Attachable Connectors	889D-M4DC-H	3-79
Sealing Caps§	1485A-M12	3-143
Labels*	1492-MS9X20	—

‡ Replace symbol with the length of the cable in meters (1, 2, 3, 5 or 10 m standard)

§ 2 provided with box

* 1 set provided with box (see *Industrial Controls* catalog)

Pinout

Device Connection			Main Connection
			
Ports (Female 4-pin)			Cable Connector
4 Port	6 Port	8 Port	
Ground	Ground	Ground	Green/Yellow
(+) All Ports Pin 1	(+) All Ports Pin 1	(+) All Ports Pin 1	Brown
(-) All Ports Pin 3	(-) All Ports Pin 3	(-) All Ports Pin 3	Blue
Port 1 Pin 4	Port 1 Pin 4	Port 1 Pin 4	White
Port 2 Pin 4	Port 2 Pin 4	Port 2 Pin 4	Green
Port 3 Pin 4	Port 3 Pin 4	Port 3 Pin 4	Yellow
Port 4 Pin 4	Port 4 Pin 4	Port 4 Pin 4	Grey
—	Port 5 Pin 4	Port 5 Pin 4	Rose
—	Port 6 Pin 4	Port 6 Pin 4	Red
—	—	Port 7 Pin 4	Black
—	—	Port 8 Pin 4	Violet

Product Selection

Distribution Boxes 

Ports	Illuminated	Assembly Rating	Cat. No.
4 Port	No LED	10...30V DC, 2 A per channel/ 10 A total	898D-54PT-B*
	PNP LED		898D-P54PT-B*
	NPN LED		898D-N54PT-B*
6 Port	No LED		898D-56PT-B*
	PNP LED		898D-P56PT-B*
	NPN LED		898D-N56PT-B*
8 Port	No LED		898D-58PT-B*
	PNP LED		898D-P58PT-B*
	NPN LED		898D-N58PT-B*
Device Patchcords (Straight to Straight)			889D-F4ACDM-‡

* Replace symbol with 5 (5 m) or 10 (10 m) for standard cable lengths.

‡ Replace symbol with the length of cable in meters (1, 2, 3, 5 or 10 m standard).

DC Micro Style



DC Micro 8-Port Distribution Box

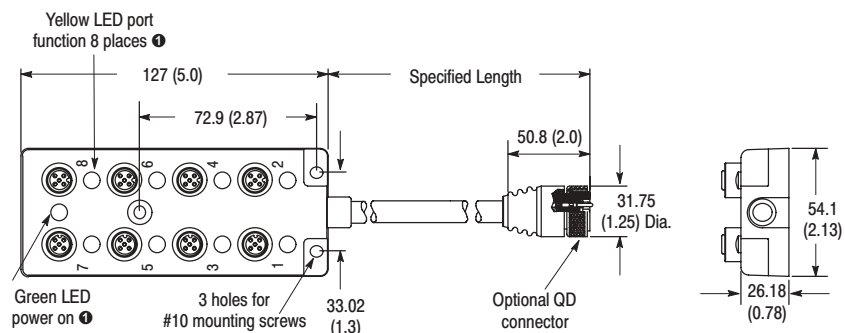
Features

- Highly visible yellow PET body offers good oil and chemical resistance
- 4, 6, or 8 DC micro connectors
- LED versions for use with PNP (sourcing) field devices
- 12-pin mini connector on 8-port box for use with PanelConnect

Specifications

Certifications	UL recognized and CSA certified
Mechanical	
Material	Yellow PET
Connector Insert	PUR
Receptacle Shell Material	Anodized aluminum with clear sealant
Contacts	Gold-plated palladium/nickel
Cable	Oil-resistant yellow PVC jacket, 18 AWG stranded copper conductors 300V
Cable Diameter	9 mm (0.36 in)
Environmental	
Enclosure Type Rating	IP 67, NEMA 6P, 1200 psi (8270 kPa) washdown
Operating Temperature—C (F)	-20...+90° (-4...+194°)

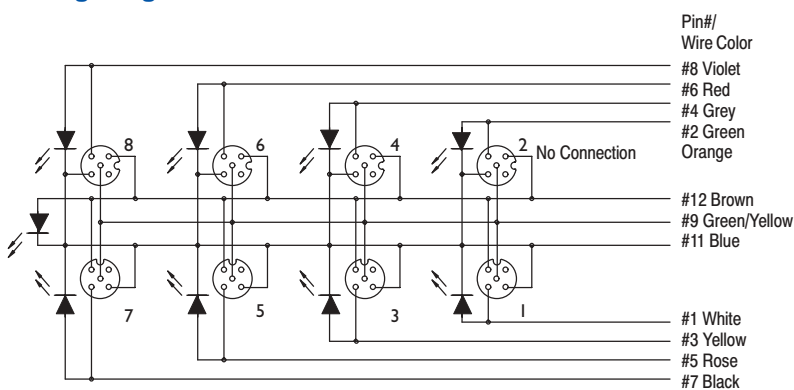
Dimensions—mm (in)



① LED models only.

Dimensions are approximate. Illustrations are not drawn to scale.

Wiring Diagrams



Note: Wiring diagram shows both PNP wiring. Actual units use PNP LED or neither.

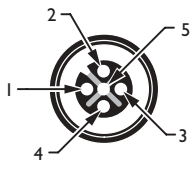



Mating Components & Accessories

Description	Cat. No.	Page
#22 AWG Device patchcord	889D-F4ACDM-‡	3-47
	Field Attacable Connectors	871A-TS4-DM
#18 AWG IDC Field Attachable Connectors	889D-M4DC-H	3-79
	Sealing Caps	1485A-M12
#22 AWG Main Cordset	889N-F‡AF-‡	3-35, 3-37

‡ Replace symbol with the length of the cable in meters (1, 2, 3, 5 or 10 m standard)

§ Replace symbol with the number of pins in the main connection

Pinout

	Main Connection		
	4 Port	6 Port	8 Port
			
Ports (Female 4-Pin)	7-Pin Male	9-Pin Male	12-Pin Male
Ground	Pin 7	Pin 7	Pin 9
(+) All Ports Pin 1	Pin 6	Pin 9	Pin 12
(-) All Ports Pin 3	Pin 5	Pin 8	Pin 11
Port 1 Pin 4	Pin 1	Pin 1	Pin 1
Port 2 Pin 4	Pin 2	Pin 2	Pin 2
Port 3 Pin 4	Pin 3	Pin 3	Pin 3
Port 4 Pin 4	Pin 4	Pin 4	Pin 4
Port 5 Pin 4	—	Pin 5	Pin 5
Port 6 Pin 4	—	Pin 6	Pin 6
Port 7 Pin 4	—	—	Pin 7
Port 8 Pin 4	—	—	Pin 8
No Connection	—	—	Pin 10

Product Selection

Distribution Boxes 

Ports	Illuminated	Assembly Rating	Cat. No.
4 Port	No LED	10...30V DC, 3	898D-54PT-N7
	LED		898D-P54PT-N7
6 Port	No LED		898D-56PT-N9
	LED		898D-P56PT-N9
8 Port	No LED		898D-58PT-N12
	LED		898D-P58PT-N12
Device Patchcords (Straight to Straight)			889D-F4ACDM-*
Main Cordset (Straight to Conductor)			889N-F‡AF-§

* Replace symbol with the length of cable in meters.
‡ Replace symbol with the number of pin in the main conductor.
§ Replace symbol with the length of cable in meters.

DC Micro Style



DC Micro 8-Port Distribution Box

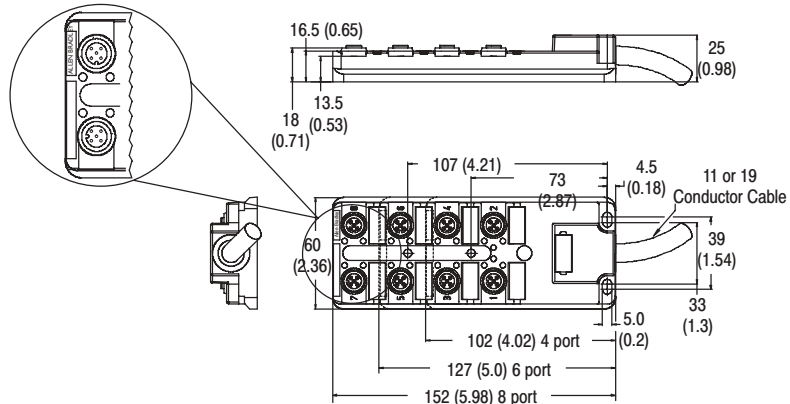
Features

- Grey Pocan body offers good oil and chemical resistance
- 4 or 8 DC micro connectors
- PUR/PVC cable rated to flex to 1 million cycles
- LED version for use with PNP (sourcing)
- Snap-in markers for box and port identification can be used with 1492 Fast Track™ marker printer system

Specifications

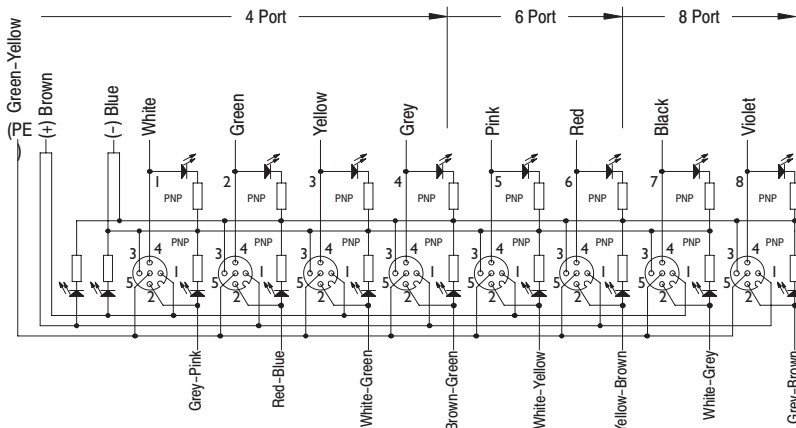
Certifications	UL recognized and CSA certified
Mechanical	
Material	Grey Pocan
Connector Insert	PBT
Receptacle Shell Material	Zinc diecast with nickel plating
Contacts	Gold-plated palladium/nickel
Cable	Oil-resistant black PUR/PVC jacket, (3) 18 AWG stranded copper, (8 or 16) 22 AWG flex rated for 1 million cycles
Cable Diameter	4 port = 8.2 mm (0.32 in) 8 port = 9.7 mm (0.38 in)
Environmental	
Enclosure Type Rating	IP 67, NEMA 6P, 1200 psi (8270 kPa) washdown
Operating Temperature—C (F)	-20...+90° (-4...+194°)

Dimensions—mm (in)



Dimensions are approximate. Illustrations are not drawn to scale.

Wiring Diagrams



Note: Wiring diagram shows PNP wiring. Actual units use PNP LED or no LED.

Mating Components & Accessories

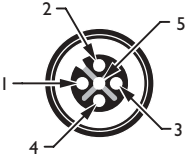

Description	Cat. No.	Page
Device patchcord	889D-F5ACDM-‡	3-47
Field Attachable Connectors	871A-TS4-DM	3-77
IDC Field Attachable Connectors	889D-M4DC-H	3-79
V-Cable	879D-F4ACDM-‡	3-61
Splitter	879D-F4DM	3-59
Sealing Caps§	1485A-M12	3-143
Labels*§	1492-MS9X20	—

‡ Replace symbol with the length of the cable in meters (1, 2, 3, 5 or 10 m standard)

§ 2 provided with box

* 1 set provided with box (see *Industrial Controls* catalog)

Pinout

Device Connection		Main Connection
		
Ports (Female 4-Pin)		Cable Connector
4 Port	8 Port	
Ground	Ground	Green/Yellow
(+) All Ports Pin 1	(+) All Ports Pin 1	Brown
(-) All Ports Pin 3	(-) All Ports Pin 3	Blue
Port 1 Pin 4	Port 1 Pin 4	White
Port 2 Pin 4	Port 2 Pin 4	Green
Port 3 Pin 4	Port 3 Pin 4	Yellow
Port 4 Pin 4	Port 4 Pin 4	Grey
—	Port 5 Pin 4	Rose
—	Port 6 Pin 4	Red
—	Port 7 Pin 4	Black
—	Port 8 Pin 4	Violet
Port 1 Pin 2	Port 1 Pin 2	Grey–Pink
Port 2 Pin 2	Port 2 Pin 2	Red–Blue
Port 3 Pin 2	Port 3 Pin 2	White–Green
Port 4 Pin 2	Port 4 Pin 2	Brown–Green
—	Port 5 Pin 2	White–Yellow
—	Port 6 Pin 2	Yellow–Brown
—	Port 7 Pin 2	White–Grey
—	Port 8 Pin 2	Grey–Brown

Product Selection

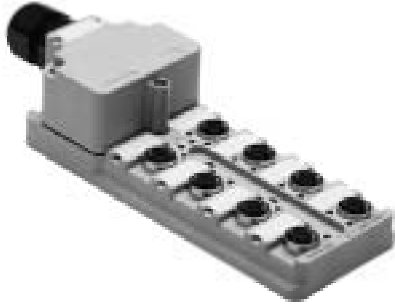
Distribution Boxes 

Ports	Illuminated	Assembly Rating	Cat. No.
4 Port	No LED	10...30V DC, 2 A per channel/ 10 A total	898D-54DT-B*
	PNP LED		898D-P54DT-B*
8 Port	No LED		898D-58DT-B*
	PNP LED		898D-P58DT-B*
Device Patchcords (Straight to Straight)			889D-F4ACDM-‡
Device V-Cables (Straight)			879D-F4ACDM-‡

* Replace symbol with 5 (5 m) or 10 (10 m) for standard cable lengths.

‡ Replace symbol with the length of cable in meters (1, 2, 3, 5 or 10 m standard).

DC Micro Style



DC Micro 8-Port Distribution Box

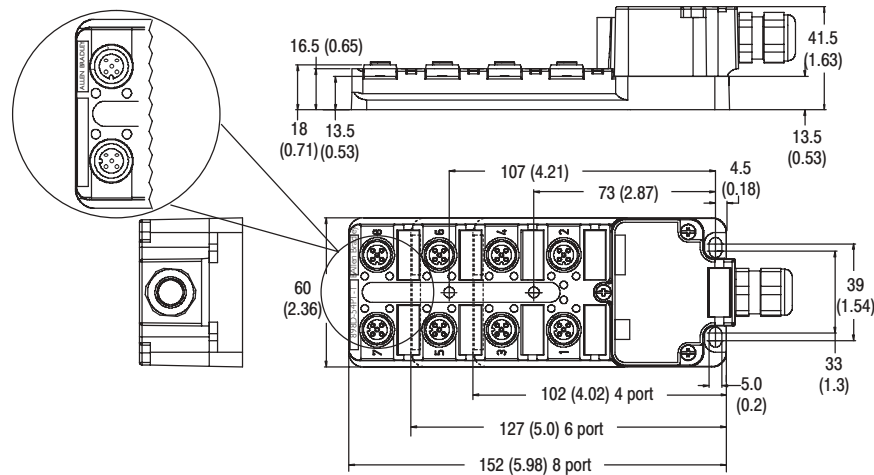
Features

- Grey Pocan body offers good oil and chemical resistance
- 4, 6, or 8 DC micro connectors
- Screw terminal connection allows for customized home-run wiring
- Moveable jumpers allow for box to have 1 common or 2 separate power sources
- LED version for use with PNP (sourcing) or NPN (sinking) field devices
- Snap-in markers for box and port identification can be used with 1492 Fast Track™ marker printer system

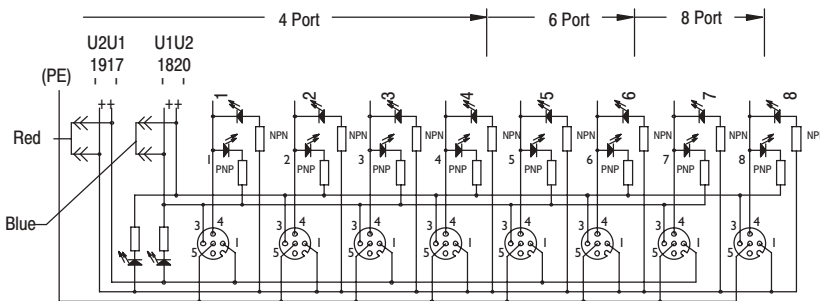
Specifications

Certifications	UL recognized and CSA certified
Mechanical	
Material	Grey Pocan
Connector Insert	PBT
Receptacle Shell Material	Zinc diecast with nickel plating
Contacts	Gold-plated palladium/nickel
Cable Gland	M20 mounting thread
Cable Diameter	6...10 mm (0.24...0.39 in)
Environmental	
Enclosure Type Rating	IP 67; 1200 psi washdown
Operating Temperature—C (F)	-20...+90° (-4...+194°)

Dimensions—mm (in)



Wiring Diagrams



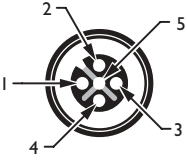

Note: Wiring diagram shows both PNP and NPN wiring. Actual units use PNP LED, NPN LED or neither.

Mating Components & Accessories

Description	Cat. No.	Page
Device patchcord	889D-F4ACDM-‡	3-47
Field Attacable Connectors	871A-TS4-DM	3-77
IDC Field Attacable Connectors	889D-M4DC-H	3-79
Sealing Caps§	1485A-M12	3-143
Labels*	1492-MS9X20	—

- ‡ Replace symbol with the length of the cable in meters (1, 2, 3, 5 or 10 m standard)
- § 2 provided with box
- * 1 set provided with box (see *Industrial Control* catalog)

Pinout

Device Connection		Main Connection
		
Ports (Female 4-Pin)		Terminal Block Connector
4 Port	8 Port	
Ground	Ground	PE
(+) Odd Ports Pin 1	(+) Odd Ports Pin 1	17
(+) Even Ports Pin 1	(+) Even Ports Pin 1	19
(-) Odd Ports Pin 3	(-) Odd Ports Pin 3	18
(-) Even Ports Pin 3	(-) Even Ports Pin 3	20
Port 1 Pin 4	Port 1 Pin 4	1
Port 2 Pin 4	Port 2 Pin 4	2
Port 3 Pin 4	Port 3 Pin 4	3
Port 4 Pin 4	Port 4 Pin 4	4
—	Port 5 Pin 4	5
—	Port 6 Pin 4	6
—	Port 7 Pin 4	7
—	Port 8 Pin 4	8

Product Selection

Distribution Boxes

Ports	Illuminated	Assembly Rating	Cat. No.
4 Port	No LED	10...30V DC, 2 A per channel/10 A total or 8 A per input when 2 inputs are used	898D-54PT-T
	PNP LED		898D-P54PT-T
	NPN LED		898D-N54PT-T
8 Port	No LED		898D-58PT-T
	PNP LED		898D-P58PT-T
	NPN LED		898D-N58PT-T
Device Patchcords (Straight to Straight)			889D-F4ACDM-‡

‡ Replace symbol with the length of cable in meters (1, 2, 3, 5 or 10 m standard).

DC Micro Style



DC Micro 8-Port Distribution Box

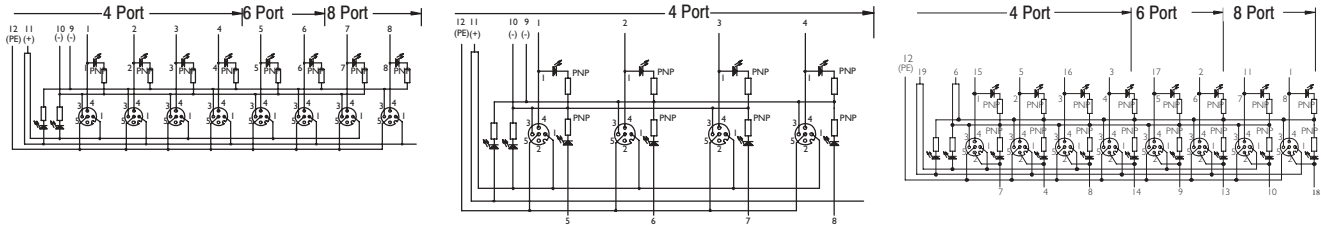
Features

- Pocan body offers good oil and chemical resistance
- Four and eight DC micro connectors
- 12- or 19-pin M23 quick disconnect
- LED version for use with PNP (sourcing) field devices
- Snap-in markers for box and port identification can be used with 1492 Fast Track™ marker printer system

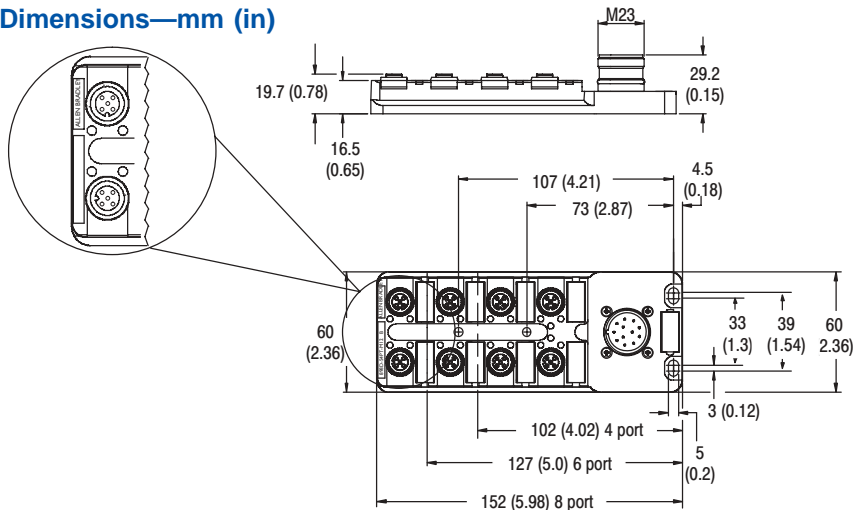
Specifications

Certifications	UL recognized and CSA certified
Mechanical	
Material	Grey Pocan
Connector Insert	PBT
Receptacle Shell Material	Zinc diecast with nickel plating
Contacts	Gold-plated palladium/nickel
Main Connector	12- and 19-Pin M23
Environmental	
Enclosure Type Rating	IP 67; 1200 psi washdown
Operating Temperature—C (F)	-20...+90° (-4...+194°)

Wiring Diagrams



Dimensions—mm (in)



Dimensions are approximate. Illustrations are not drawn to scale.

Mating Components & Accessories

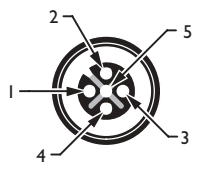
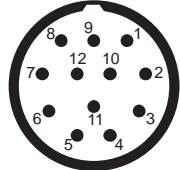
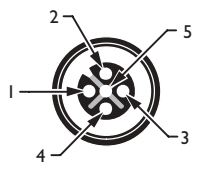
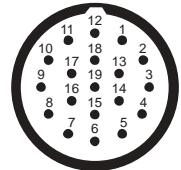
Description	Cat. No.	Pg
Device patchcord	889D-F4ACDM ‡	3-47
Main Patchcord (12-pin)	889M-R11RMMU ‡	3-129
Main Patchcord (19-pin)	889M-R19RMMU ‡	3-129
V-Cable (Dual)	879D-F4ADM ‡	3-61
Sealing Caps§	1485A-M12	3-143
Labels*†	1492-MS9X20	—

‡ Replace symbol with the length of cable in meters (1, 2, 3, 5 or 10 m standard).

§ 2 provided with box

* 1 set provided with box (see *Industrial Control* catalog)

Pinout

Device Connection			Main Connection	Device Connections	Main Connection
					
Ports (Female 4 pin)			M23 Connector (Male 12-Pin)		M23 Connector (Male 19-Pin)
4 Port (Single Channel)	4 Port (Dual Channel)	8 Port (Single Channel)		8 Port (Dual Channel)	
Ground	Ground	Ground	12	Ground	12
(+) All Ports Pin 1	(+) All Ports Pin 2	(+) All Ports Pin 1	11	(+) All Ports Pin 1	19
(-) All Ports Pin 3	(-) All Ports Pin 4	(-) All Ports Pin 3	10 & 9	(-) All Ports Pin 3	6
Port 1 Pin 4	Port 1 Pin 4	Port 1 Pin 4	1	Port 1 Pin 4	15
Port 2 Pin 4	Port 2 Pin 4	Port 2 Pin 4	2	Port 2 Pin 4	5
Port 3 Pin 4	Port 3 Pin 4	Port 3 Pin 4	3	Port 3 Pin 4	16
Port 4 Pin 4	Port 4 Pin 4	Port 4 Pin 4	4	Port 4 Pin 4	3
—	Port 1 Pin 2	Port 5 Pin 4	5	Port 5 Pin 4	17
—	Port 2 Pin 2	Port 6 Pin 4	6	Port 6 Pin 4	2
—	Port 3 Pin 2	Port 7 Pin 4	7	Port 7 Pin 4	11
—	Port 4 Pin 2	Port 8 Pin 4	8	Port 8 Pin 4	1
				Port 1 Pin 2	7
				Port 2 Pin 2	4
				Port 3 Pin 2	8
				Port 4 Pin 2	14
				Port 5 Pin 2	9
				Port 6 Pin 2	13
				Port 7 Pin 2	10
				Port 8 Pin 2	18

Product Selection

Distribution Boxes

Ports	No. of Signals per Port	Illuminated	Assembly Rating	Cat. No.
4 Port	Single (1)	No LED	10...30V DC, 2 A per channel/ 10 A total	898D-54PT-M12
		PNP LED		898D-P54PT-M12
8 Port		No LED		898D-58PT-M12
		PNP LED		898D-P58PT-M12
4 Port	Dual (2)	No LED		898D-54DT-M12
		PNP LED		898D-P54DT-M12
8 Port		No LED		898D-58DT-M19
		PNP LED		898D-P58DT-M19
Device Patchcords (Straight to Straight)				889D-F4ACDM-‡
Homerun Patchcord for 4 Port (Right Angle to Straight)				889M-R11RMMU-‡
Homerun Patchcord for 8 Port (Right Angle to Straight)				889M-R19RMMU-‡

‡ Replace symbol with the length of cable in meters (1, 2, 3, 5 or 10 m standard).