



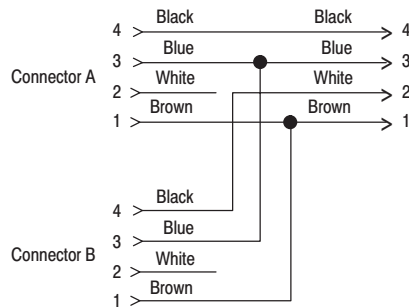
DC Micro Y-Cable

**Specifications**

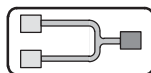
<b>Coupling Nut</b>	Epoxy-Coated Zinc
<b>Connector</b>	Molded oil-resistant PVC
<b>Contacts</b>	Gold-plated palladium/nickel
<b>Cable</b>	Oil-resistant yellow PVC jacket, 22AWG conductors, 300V, UL recognized and CSA certified
<b>Cable O.D.</b>	5mm (0.21in)
<b>Temperature</b>	-20°C to +105°C (-4°F to +221°F)

**Features**

- UL recognized and CSA certified
- Highly visible yellow PVC jacket offers good oil and chemical resistance
- Convenient connection of 2 sensors to 1 I/O port
- Ratcheting coupling nut for vibration resistance



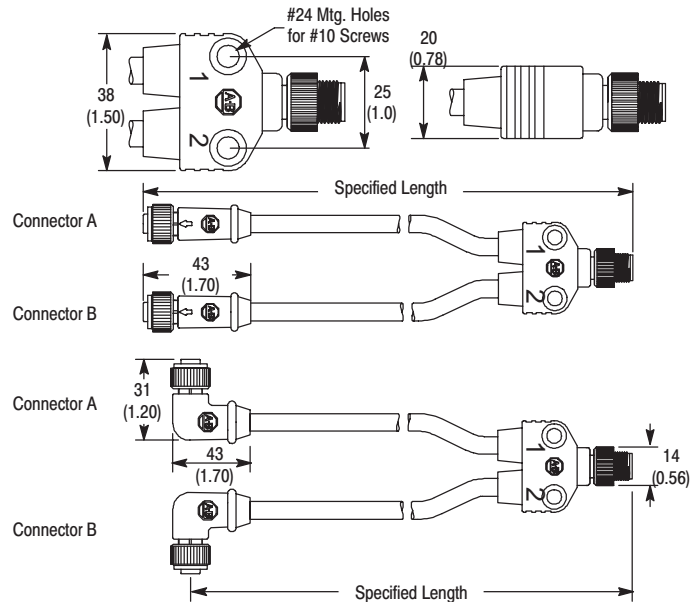
**Note:** Some sensors use 2 pins for power and 2 pins for complementary outputs. Only 3 pins are connected when using a y-cable.



**Product Selection**

Female Connector (Sensor End)		Cable		Male Connector (Male Coupling Nut)		Catalog Number
Face View of Female	Connector Style	Wire Rating	Length m (ft)	Face View of Male	Connector Style	
	Straight	22AWG 300V 3A	0.3 (1)		Straight	879D-F4ACDM-0M3
			1 (3)			879D-F4ACDM-1
			2 (6.5)			879D-F4ACDM-2
			5 (16.4)			879D-F4ACDM-5
	Right Angle		0.3 (1)			879D-R4ACDM-0M3
			1 (3)			879D-R4ACDM-1
			2 (6.5)			879D-R4ACDM-2
			5 (16.4)			879D-R4ACDM-5
Cable 3-conductor "X2"	None	18AWG 300V 3A	5 (16.4)			879-C3AEDM4-5

**Dimensions—mm (in)**



Dimensions are approximate. Illustrations are not drawn to scale.

# Y-Cables, DC Micro Style

## Individual Power Inputs Wiring

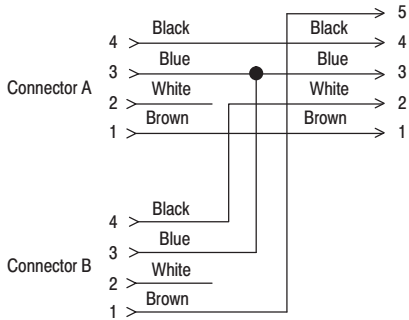


DC Micro Y-Cable

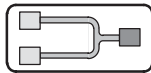
### Features

Designed for use with dual input distributed I/O with individual power inputs.

- UL recognized and CSA certified
- Highly visible yellow PVC jacket offers good oil and chemical resistance
- Convenient connection of 2 sensors to 1 I/O port
- Ratcheting coupling nut for vibration resistance



**Note:** Some sensors use 2 pins for power and 2 pins for complementary outputs. Only 3 pins are connected when using a y-cable.



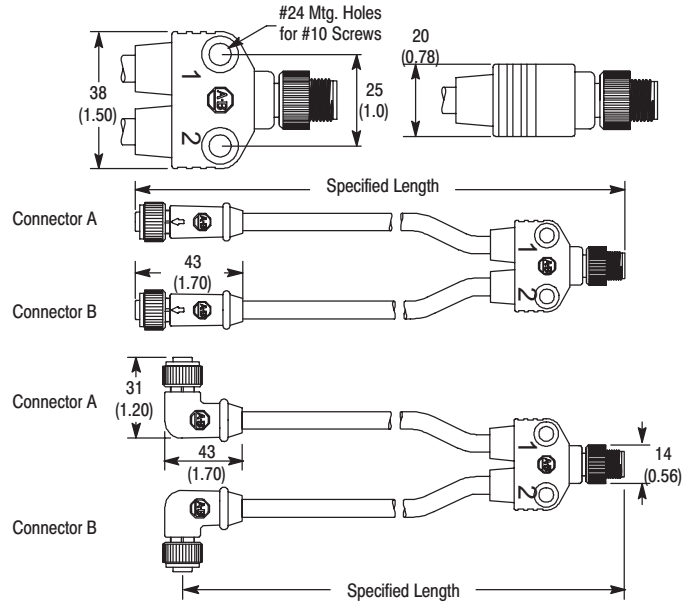
### Product Selection

Female Connector (Sensor End)		Cable		Male Connector		Catalog Number
Face View of Female	Connector Style	Wire Rating	Length m (ft)	Face View of Male	Connector Style	
	Straight	22AWG 300V 3A	0.3 (1)		Straight	879D-F4ACDM5-0M3
			1 (3)			879D-F4ACDM5-1
			2 (6.5)			879D-F4ACDM5-2
			5 (16.4)			879D-F4ACDM5-5
			0.3 (1)			879D-R4ACDM5-0M3
	Right Angle		1 (3)			879D-R4ACDM5-1
			2 (6.5)			879D-R4ACDM5-2
			5 (16.4)			879D-R4ACDM5-5

### Specifications

<b>Coupling Nut</b>	Epoxy-Coated Zinc
<b>Connector</b>	Molded oil-resistant PVC
<b>Contacts</b>	Gold-plated palladium/nickel
<b>Cable Approvals</b>	Oil-resistant yellow PVC jacket, 22AWG conductors, 300V UL recognized and CSA certified
<b>Cable O.D.</b>	5mm (0.21in)
<b>Temperature</b>	-20°C to +105°C (-4°F to +221°F)

### Dimensions—mm (in)



Dimensions are approximate. Illustrations are not drawn to scale.