

# Terminal Chambers, AC Micro Style

## Screw-Type Field Attachable Connectors

### AC Micro Style



AC Micro Male Receptacle

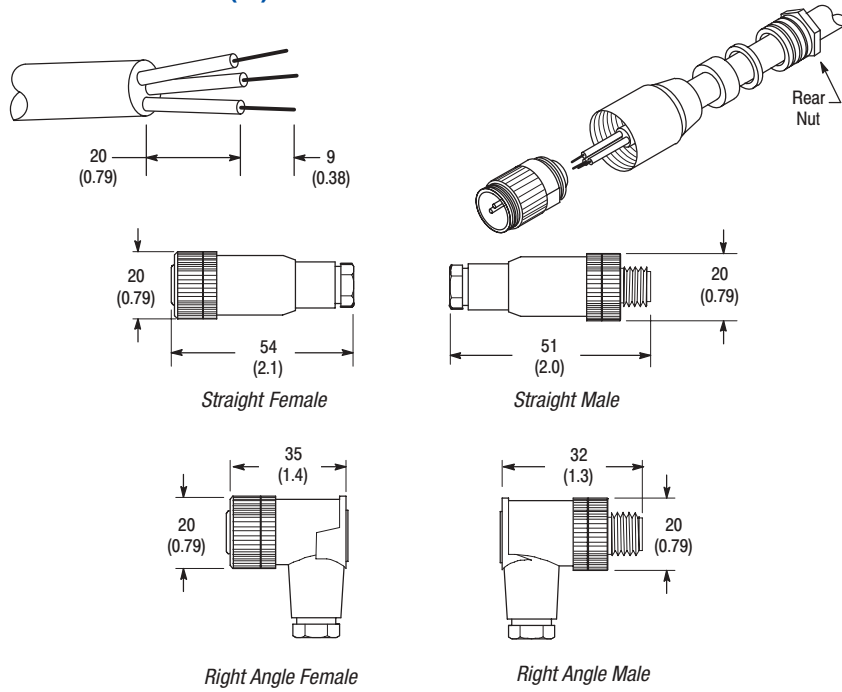
### Specifications

<b>Mechanical</b>	
<b>Coupling Nut</b>	Nickel-plated brass
<b>Connector Insert Material</b>	Nylon
<b>Contacts</b>	Gold-plated palladium/nickel
<b>Wire Size, Max.</b>	18 AWG (0.75 mm <sup>2</sup> )
<b>Environmental</b>	
<b>Enclosure Type Rating</b>	IP 67 (IEC 529); NEMA 6P
<b>Operating Temperature—C (F)</b>	-40...+90° (-40...+194°)

### Features



- Field installable
- 3-pin AC micro style
- Straight or right angle
- Screw terminals provide simple and secure installation
- Allows easy modification of existing cable installations

### Dimensions—mm (in)



Dimensions are approximate. Illustrations are not drawn to scale.

### Pinout and Color Code

Face View Pinout	
3-Pin	
 <p style="text-align: center;">Female</p>	 <p style="text-align: center;">Male</p>
Color Code	<p>1 Green            2 Red/Black Tr            3 Red/White Tr</p>
A	

### Product Selection

Terminal Chambers 

Style	Cable Jacket Diameter—mm (in)	Wire Size, Max.	Cat. No.	
			Female	Male
Straight	4.0...6.0 (0.16...0.24)	18 AWG (0.75 mm <sup>2</sup> )	<a href="#">871A-TS3-R</a>	<a href="#">871A-TS3-RM</a>
Right Angle			<a href="#">871A-TR3-R</a>	<a href="#">871A-TR3-RM</a>
Straight	6.0...8.0 (0.24...0.32)	18 AWG (0.75 mm <sup>2</sup> )	<a href="#">871A-TS3-R1</a>	<a href="#">871A-TS3-RM1</a>
Right Angle			<a href="#">871A-TR3-R1</a>	<a href="#">871A-TR3-RM1</a>

**Note:** Stainless steel coupling nuts available, add "S" to cat. no. (e.g., [871AS-TS3-R](#)).