

EtherNet™ M12 Media

4-Pin, M12 Receptacle & M12 to RS45 Adaptor

M12 Ethernet



4-Pin M12 EtherNet Receptacle



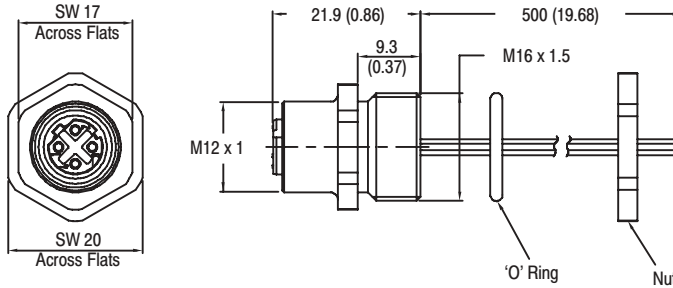
EtherNet M12 to RJ45 Adaptor

Specifications

| | |
|------------------------------------|--|
| Electrical Ratings | 32V 4 A |
| Receptacle Shell | Nickel-plated brass |
| Contacts | Brass with nickel plating |
| Wire Insulation | Oil-resistant PVC, 22 AWG stranded copper, 300V, UL recognized |
| Enclosure Protection | IP 67, 1200 psi (8270 kPa) washdown |
| Operating Temperature—C (F) | -20...+85° (-4...+185°) |
| Approvals | UL recognized for Canada and USA |

Dimensions—mm (in)

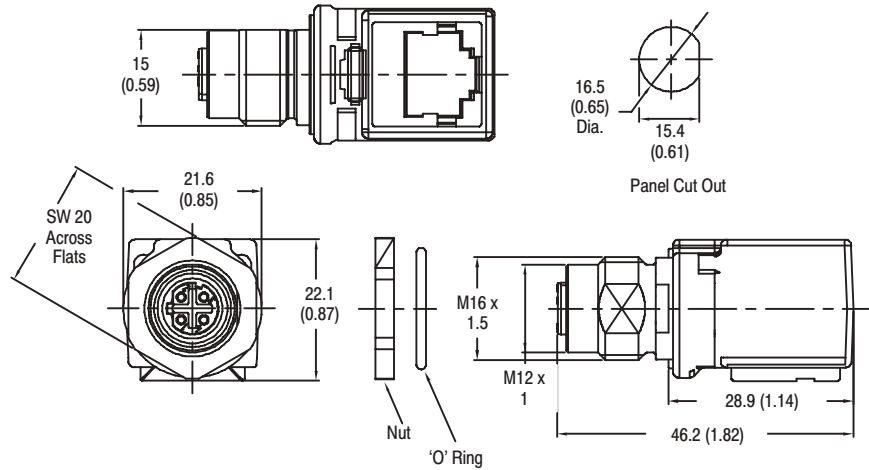
Ethernet Receptacle Female



Features

- 22 AWG conductors
- Female receptacle
- 4-pin D-coded M12 configuration
- Viton® o-ring
- M12 to RS45 bulkhead

Ethernet Adaptor M12 Female to RJ45 Female Right Angle



Product Selection

| Description | Connector Body | Panel Mount Threads | Wire Color | Assembly Rating | Cat. No. |
|--|---|---------------------|---|----------------------|-----------------|
| EtherNet M12 Female Receptacle | Brass with Nickel Plating | M16 x 1.5 | 1 Yellow 2 White 3 Orange 4 Blue | 22 AWG 32V 4 A | 1585D-D4AC9-0M5 |
| Female M12 Receptacle to RJ45 Female Adaptor Right Angle | Polyamide and Brass with Nickel Plating | PG 9 | — | | 1585A-DD4JD |