

# DeviceNet™ Flat Media System—KwikLink™ Heavy Duty

## Insulation Displacement Connectors

### Flat Media



Micro Style IDC



Open Style IDC



Terminator

#### Features

- Sealed and unsealed versions
- Quick simple installation
- Rugged Valox housing
- Includes interface and IDC module
- Terminator includes interface, IDC module, and flat cable end cap

#### Specifications

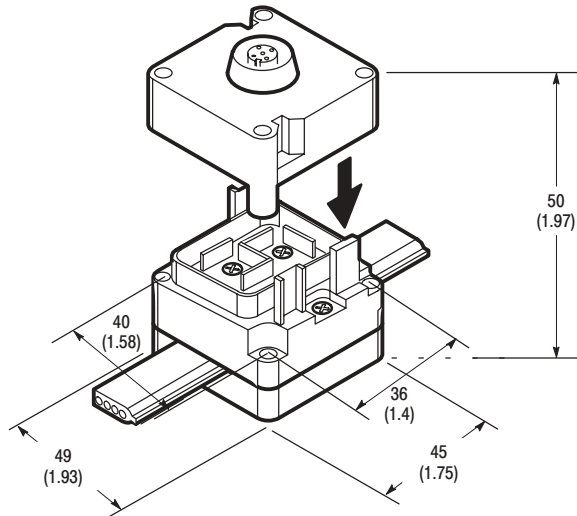
<b>Storage Temperature—C (F)</b>	-40...+85° (-40...+185°)
<b>Operating Temperature—C (F)</b>	-25...+75° (-13...+167°)
<b>Enclosure Rating</b>	Unsealed: NEMA 1; IP 60 (IEC 529) Sealed: NEMA 4, 6P, 13; IP 67 (IEC 529) & 1200 psi (8270 kPa) washdown
<b>Vibration</b>	1.5 mm displacement @ 10...500 Hz, 10 G peak, 3 planes
<b>Housing Material</b>	Valox®
<b>Dimensions</b>	45 mm x 49 mm x 50 mm (1.8 in x 1.8 in x 2 in)

#### Description

Allen-Bradley KwikLink Insulation Displacement Connectors (IDCs) interface drop cables to the flat cable trunkline with optimal plug-and-play capability at minimal cost. The hinged, two-piece base snaps snugly around the flat cable at any point along the trunk. Contact is made with the cable's four conductors by tightening two screws that drive the contacts through the cable jacket and into the conductors. The upper portion of the

IDC provides the connection to the drop cable and is available in several versions including micro- and open-style connectors. Sealed versions offer NEMA 6P and 13, IP 67 and 1200 psi washdown protection and feature a wide working temperature range (-25...75°C (-13...167°F)) for outdoor use. The compact Valox® construction (roughly 2 inch square) makes KwikLink IDCs chemically resistant for use in harsh industrial environments.

#### Dimensions—mm (in)



#### Product Selection

Connector Style	Rating	Connector Material	Color	Cat. No.	
				Unsealed	Sealed
Terminator	24V DC 8 A	Valox®	Black	1485A-T1H4	1485A-T1E4
Micro Style	24V DC 3 A			1485P-P1H4-R5	1485P-P1E4-R5
Open Style	24V DC 8 A			1485P-P1H4-T4	—